

DCT800

Diesel Compression Tester

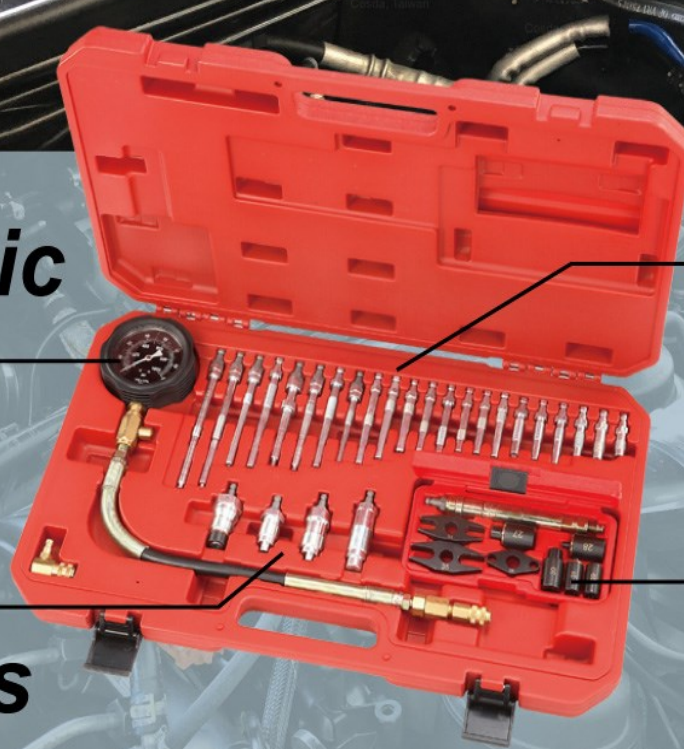


Hydraulic gauge

Glow plug adapters

Injector adapters

Universal injector adapters



Durable hydraulic gauge reading up to 1,000 psi / 70 bar

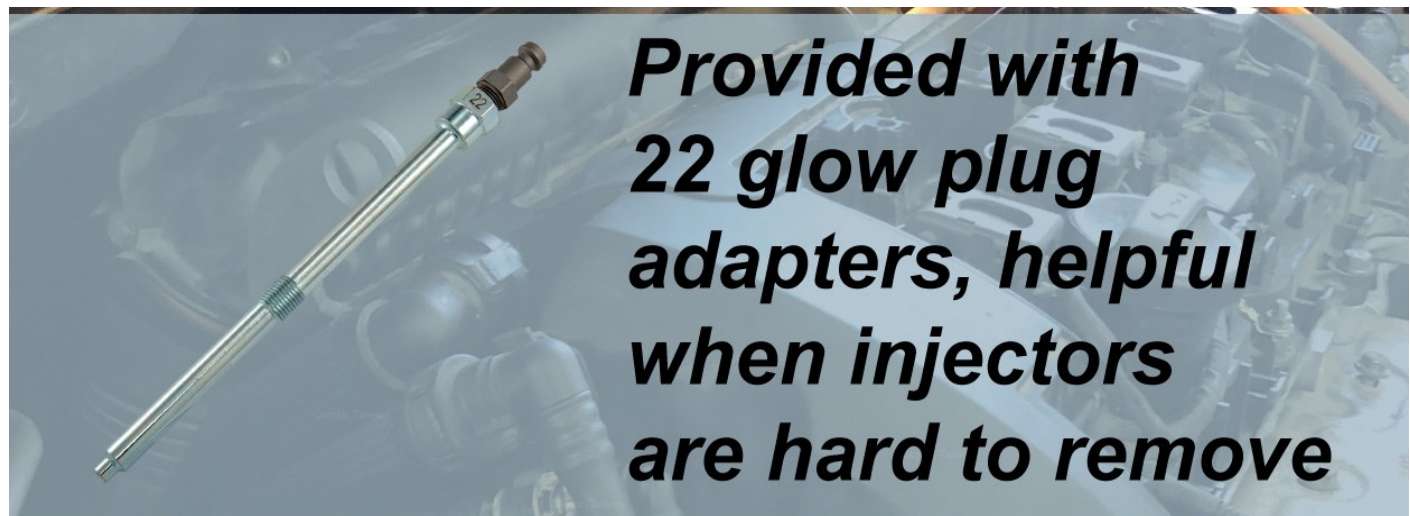
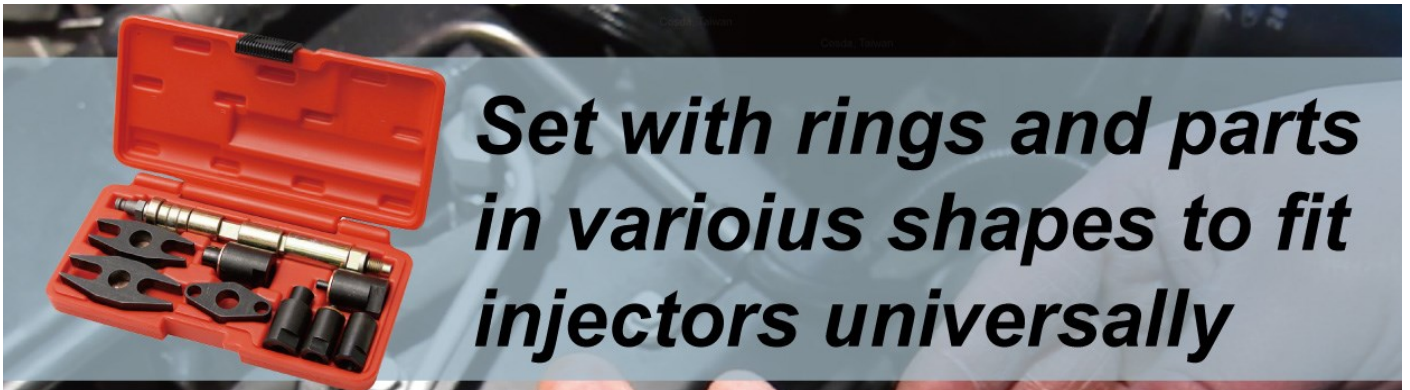


aries marketing services

Tel: +65 66447367 Whatsapp : +65 81337251

e-mail: sales@ariestools.com.sg

www.ariestools.com.sg



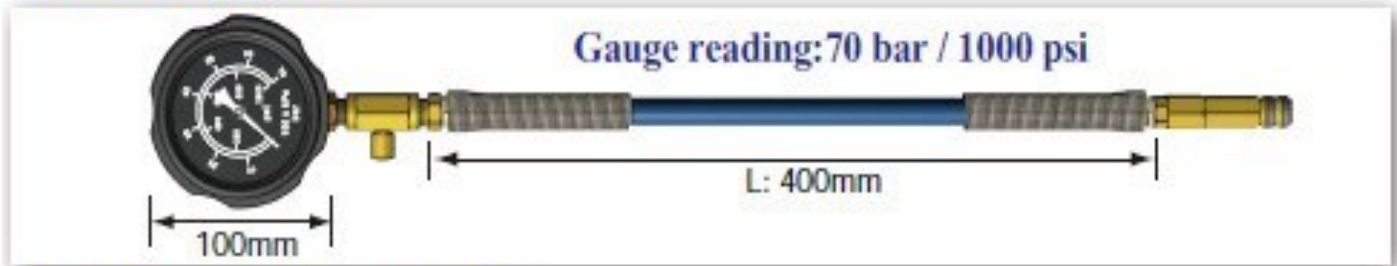
aries marketing services

Tel: +65 66447367 Whatsapp : +65 81337251

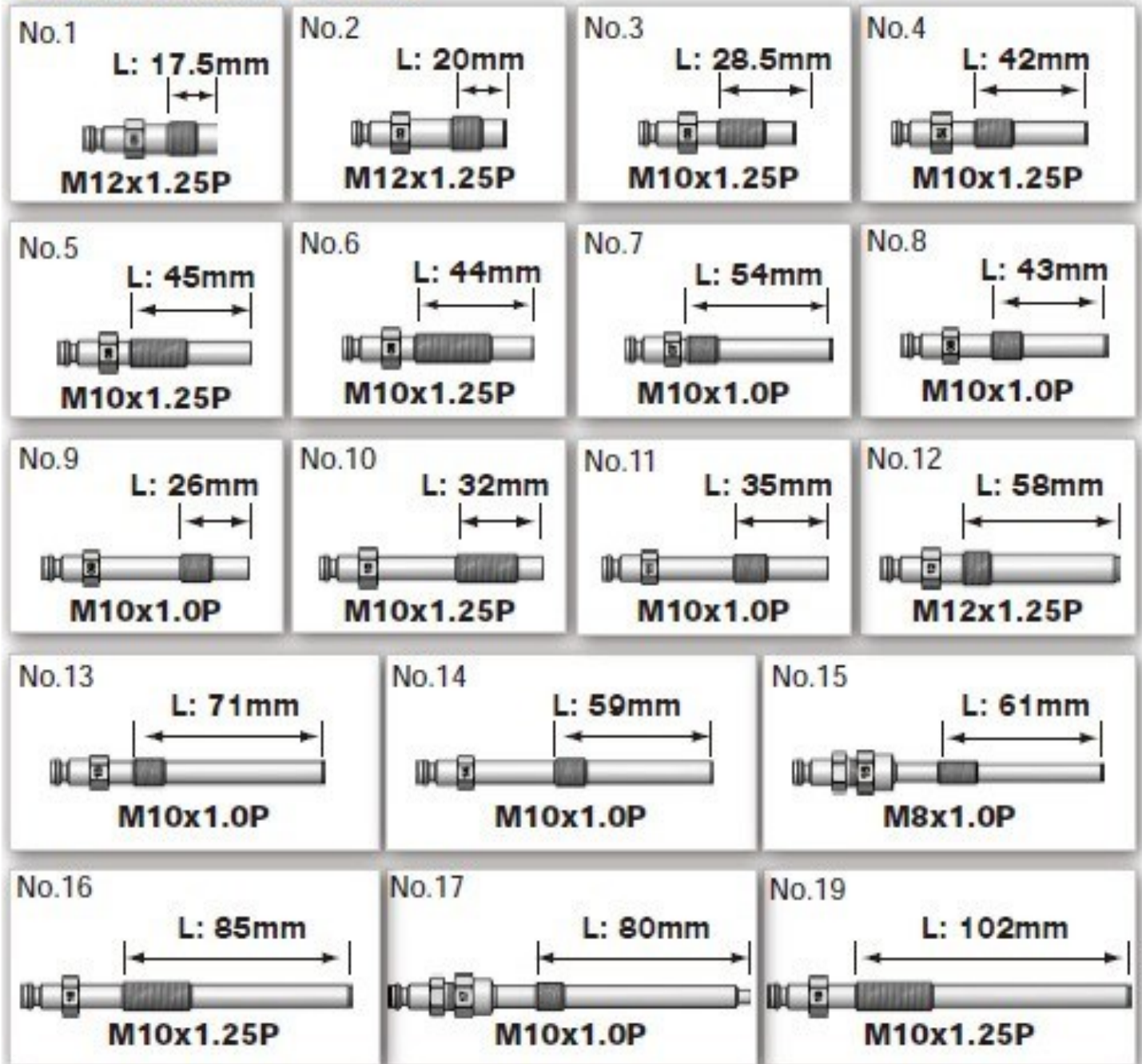
e-mail: sales@ariestools.com.sg

www.ariestools.com.sg

GAUGE ASSEMBLY



GLOW PLUG TEST ADAPTORS



aries marketing services

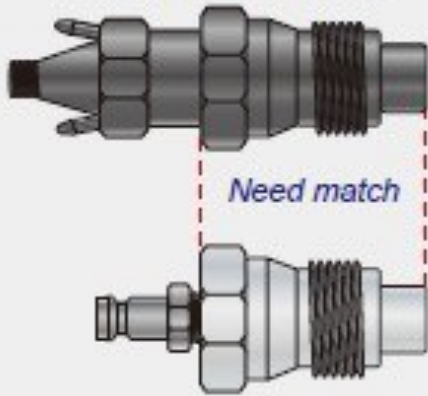
Tel: +65 66447367 Whatsapp : +65 81337251

e-mail: sales@ariestools.com.sg

www.ariestools.com.sg

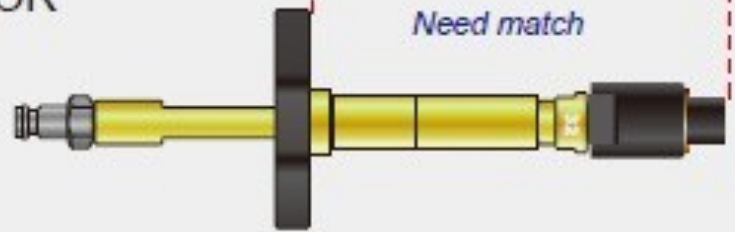
Fig.1

Original injector



Original injector

OR



Original glow plug



Note: Optional parts to match original injector seat.

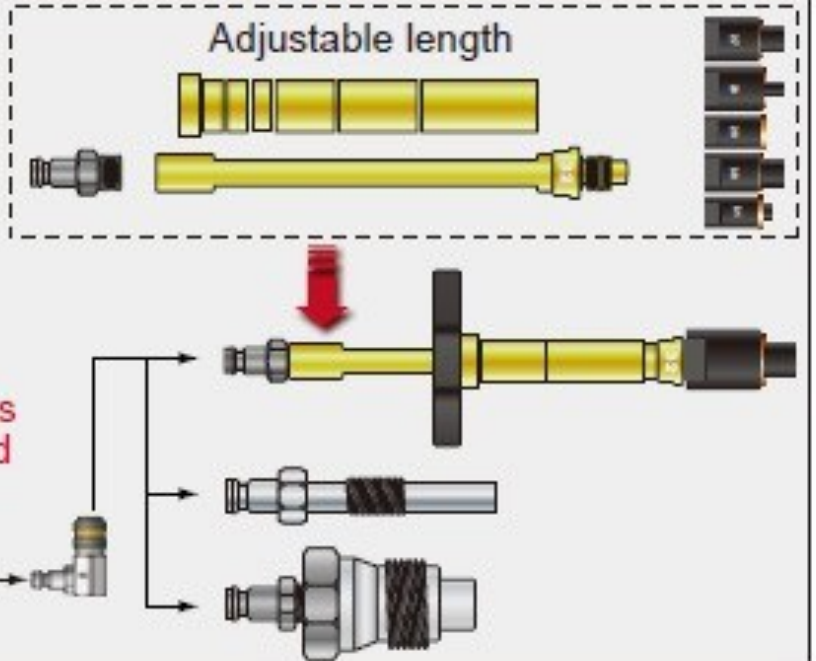


Fig.2

Adjustable length



90 degree quick coupling is suitable for narrow or limited access areas use.



ariestools
SINGAPORE

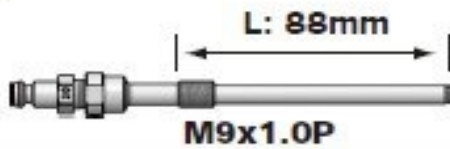
aries marketing services

Tel: +65 66447367 Whatsapp : +65 81337251

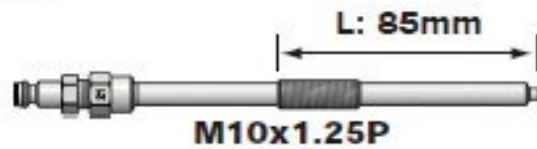
e-mail: sales@ariestools.com.sg

www.ariestools.com.sg

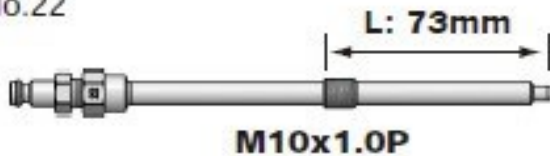
No.20



No.21



No.22

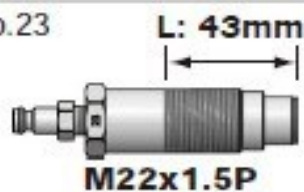


90° connector



INJECTOR TEST ADAPTORS

No.23



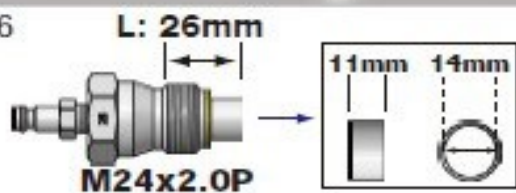
No.24



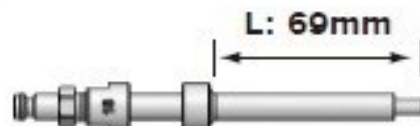
No.25



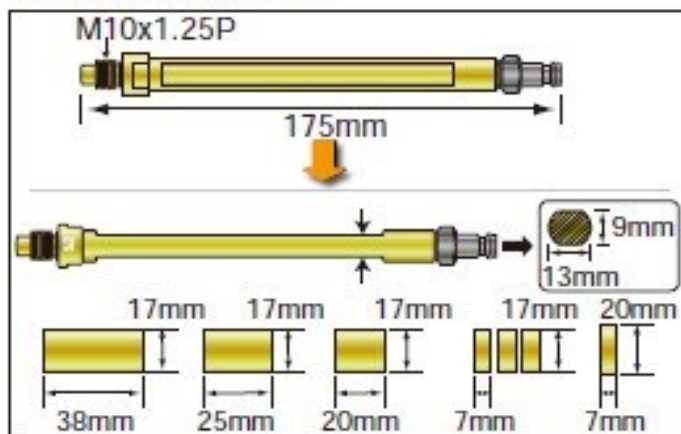
No.26



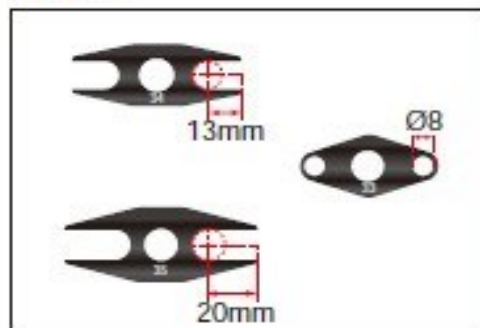
No.18



CLAMP-ON SPINDLE

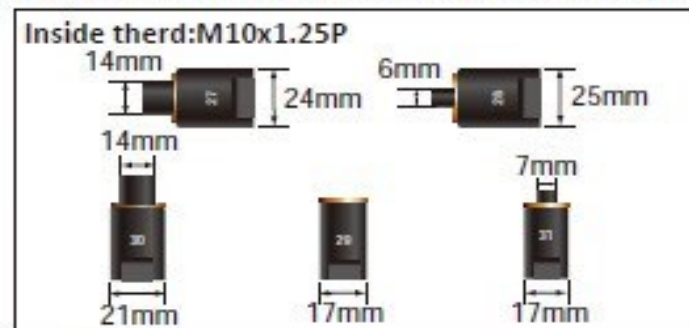


CLAMP



CLAMP-ON INJECTOR ADAPTOR

(for truck, van, bus, marine, and agricultural vehicles)



aries marketing services

Tel: +65 66447367 Whatsapp : +65 81337251

e-mail: sales@ariestools.com.sg

www.ariestools.com.sg